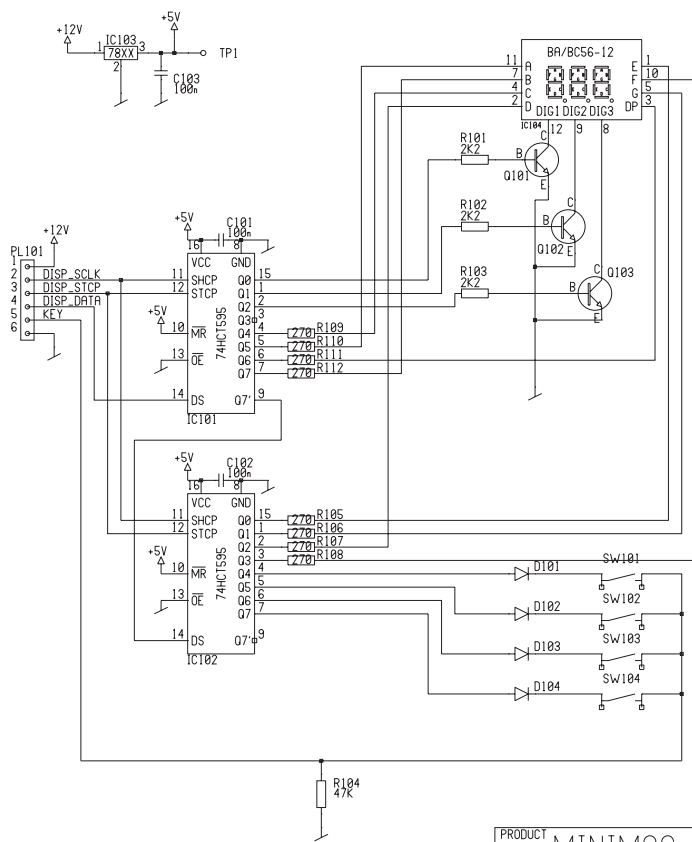


| | | | |
|-------------------------|------------------------|-------------------------|----------|
| PRODUCT | | ENG | |
| ZR22 MAIN PCB SCHEMATIC | | Martin Professional A/S | |
| NAME | 174002 SCH/103020B PCB | REVISION | A |
| | | PAGE | 1 OF 1 |
| | | DRAWN BY | NJS |
| | | DATE | 28/08/98 |
| | | TIME | 13:31 |



| | | | | | |
|-----------------------------------|--|------------------------|--|------------------------------|--|
| PRODUCT | | MINIMAC DISPLAY PCB | | ENG. Martin Professional A/S | |
| REVISION A0 | | PAGE 1 OF 1 | | | |
| DRAWN BY BH | | | | | |
| NAME 6200058 - 6209071 - 01002503 | | DATE 30/11/99 | | TIME 10:39 | |